

**NEW**

## delta®

### diaphragm metering pump

from ProMinent®

up to 80 litres per hour.



## A revolution in pump technology with optoDrive®

The innovative optoDrive® technology offers all the advantages in one drive: maximum dosing quality, process reliability and economy.

### Advantage 1: maximum dosing quality.

- Continuous or pulsating dosing, according to the application.
- The duration of the suction stroke can be matched to the dosing medium. A slow suction stroke prevents incomplete filling of the dosing head with high-viscosity fluids and prevents cavitation with effervescent media. This prevents incorrect quantities being dosed.
- optoDrive® automatically compensates for fluctuations in back pressure in the dosing line. As a result, a level of dosing accuracy is achieved that could otherwise only be attained with complex control loops

### Advantage 2: maximum process reliability.

- The drive's integrated injection control - optoGuard ensures that the required dosing quantity actually reaches the process.

- optoGuard detects blocked dosing points or broken dosing lines. This protects the environment from damage resulting from continuous dosing with a broken line
- Air or gas trapped in the dosing head ("air-lock") is also detected, thus preventing incorrect quantities being dosed.

### Advantage 3: maximum economy.

- optoDrive® reduces the procurement costs of dosing systems as there is no need for separate flow monitors, relief valve assemblies and pulsation dampeners.
- The optoDrive® drive is overload-proof on principle. A very low number of moving parts ensures practically wear-free operation.
  - The wide field of application of the optoDrive® drive reduces product diversity and so reduces the variety of spares for plant operation.

Delta Pump\_180506

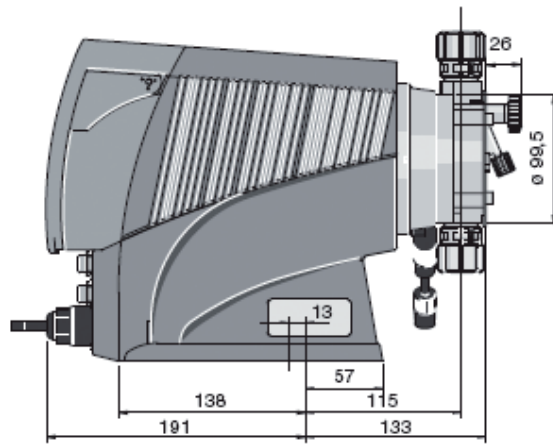
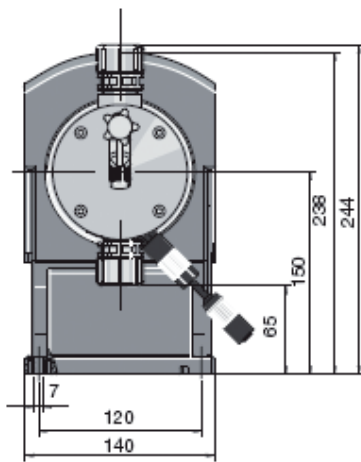
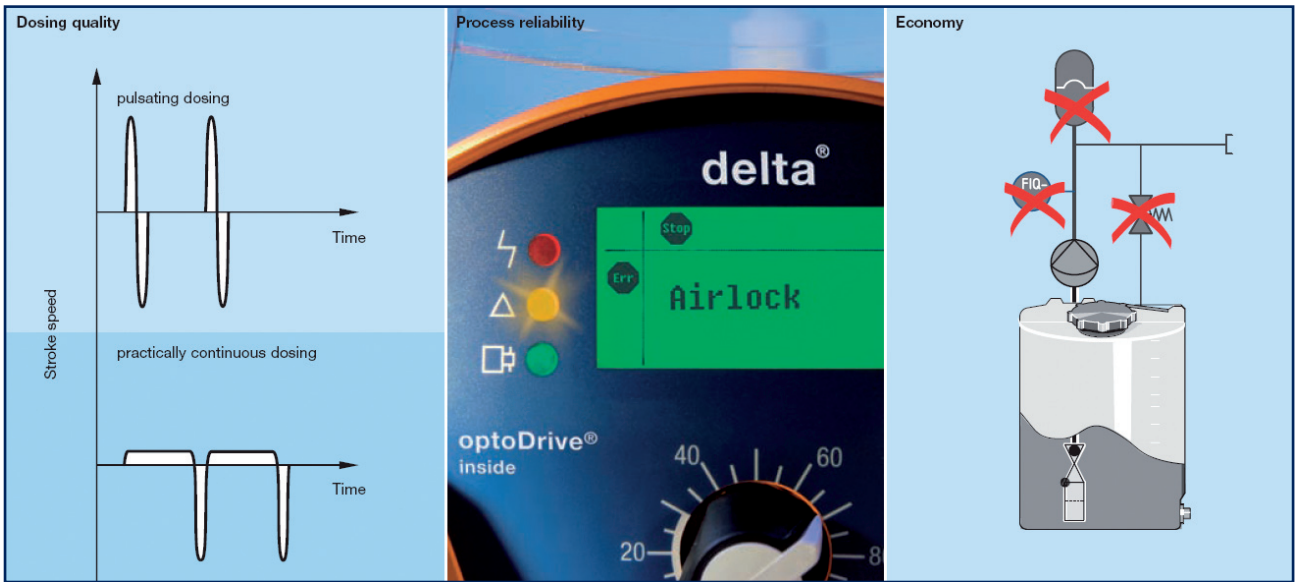
**Head Office:** Unit 4, 4 Narabang Way  
BELROSE NSW 2085  
(PO Box 85, BELROSE WEST NSW 2085)  
Ph: (02) 9450 0995 Fx: (02) 9450 0996  
Email: sales@prominentfluid.com.au

**ProMinent Fluid Controls Pty Ltd**  
**QLD Office:** 1048-1054 Beaudesert Road  
COOPERS PLAINS QLD 4108  
Ph: (07) 3246 5200 Fx: (07) 3246 5225  
Email: pfcqld@prominentfluid.com.au

**VIC Office:** Unit 2, 88 Star Crescent  
Hallam VIC 3803  
Ph: (03) 8795 7430 Fx: (03) 8795 7431  
Email: pfcvic@prominentfluid.com.au

Distributors Throughout Australia & New Zealand

**WA:** Ph: (08) 9458 9555 Fx: (08) 9350 6192 **TAS:** Ph: (03) 6244 7575 Fx: (03) 6244 7576 **NT:** Ph: (08) 8947 1008 Fx: (08) 8947 1009  
**SA:** Ph: (08) 8275 8000 **NEW ZEALAND:** Ph: (64) 9571 3131 Fx: (64) 9571 2002 Email: sales@pumpengineersb.co.nz



The delta® series with optoDrive® drive technology for maximum possible adaptation to the dosing duty and control of hydraulic peripherals. Capacity range 12-80 l/h, 16-2 bar.

- Adjustment and display of the feed rate from the keypad with choice of display in l/h or strokes/min.
- Large backlit graphic display.
- Diverse control options via volt-free contacts and 0/4-20 mA standard signal.
- Optional interfaces for PROFIBUS® or CAN bus
- 14-day process timer option for time and event-dependent dosing duties.

The delta® series is available in two material versions.

- PVDF for dosing of practically all chemicals, especially corrosive acids and yes
- Stainless steel for applications in the chemical and chemical-pharmaceutical industry, e.g. for organic solvents.

delta® Pump type	[bar]	[l/h]	Strokes/min	Suction lift [m WG]	Connector size (ext. Ø x int. Ø mm)
1612	16	12	200	6	8 x 5
1020	10	20	200	5	12 x 9
0730	7	30	200	5	12 x 9
0450	4	50	200	3	DN 10
0280	2	80	200	2	DN 10
<b>Process-wetted materials Version</b>		<b>Dosing head</b>	<b>Suction/discharge connector</b>	<b>Seals</b>	<b>Ball valves</b>
PVT		PVDF	PVDF	PTFE	Ceramic
SST		Stainless steel Mat. No. 1.4404	Stainless steel Mat. No. 1.4404	PTFE	Ceramic